

useful and  
fun for smart  
marketing

combination  
with border &  
relief jacquard

400-550 g/m<sup>2</sup>

100 %  
COTTON

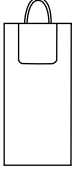

TECHNICAL  
data

# JACQUARD TOWEL BAG

Jacquard towel bag is double practical: folded it has all the characteristics of bag and unfolded it becomes a towel with pocket for each accessory. It is soft, high absorbent, comfortable, useful and fashioned. It is specially used by women on swimming pool, on the beach and at sport events.

You can choose different jacquard styles: border, relief or multi jacquard and two different materials terry or velour. Your brand will be exposed two times: on a towel (up to 70 x 140 cm) and on a bag (40 x 40 cm). It's made of 100 % cotton in EU.



Article number	TB70X140	
Sizes	Towel Bag	Folded (bag)
		
Dimensions	70x140 cm	40x40 cm
Packing details	20	